

## 代码编制规则 Part Number

1	2	3	4	5	6	7	8	9	10	11	12	13	14	15	16	17	18	19	20	21
F	C	S	3	G	D	T	1	5	7	K	0	1	7	0	2	9	0	1	5	X
电容器类型 Capacitor Type		产品外形 Product Shape	额定电压代码 Rated Voltage Code		系列代码 Series Code		容量代码 Capacitance Code		容量偏差 Capacitance Tolerance		尺寸特征码 Dimension characteristic code									内部特征码
FC=薄膜电容器 FC=Film Capacitor		方型=S Square=S	1200=3B		CBB123=DT		150=157		±5%=J		017029015									X
			3000=3F				8200=828		±10%=K											
			4000=3G				10000=109		special=S											
			5000=3H				15000=159													
			6000=3X				20000=209													
			8000=3K				65000=659													

## Features

- Metal case, high energy storage density
- Loss is small, the internal temperature is low
- Self-healing performance is excellent, the reliability is high

## 特点

- 金属外壳, 高储能密度
- 损耗小, 内部温升低
- 自愈性能优异, 可靠性高

## Recommended circuit

- High power pulse laser power, Weld power supply
- Dc-Dc energy storage cabinet, voltage smoothing system
- Marx generator, LC double voltage and other lines
- Cable fault detection instrument

## 应用线路

- 大功率脉冲激光电源, 焊接电源,
- DC-DC 能库柜电压平滑系统
- 马克思发生器, LC 倍压等线路
- 电缆线故障检测仪器

## 外型图 Dimension

Unit: mm

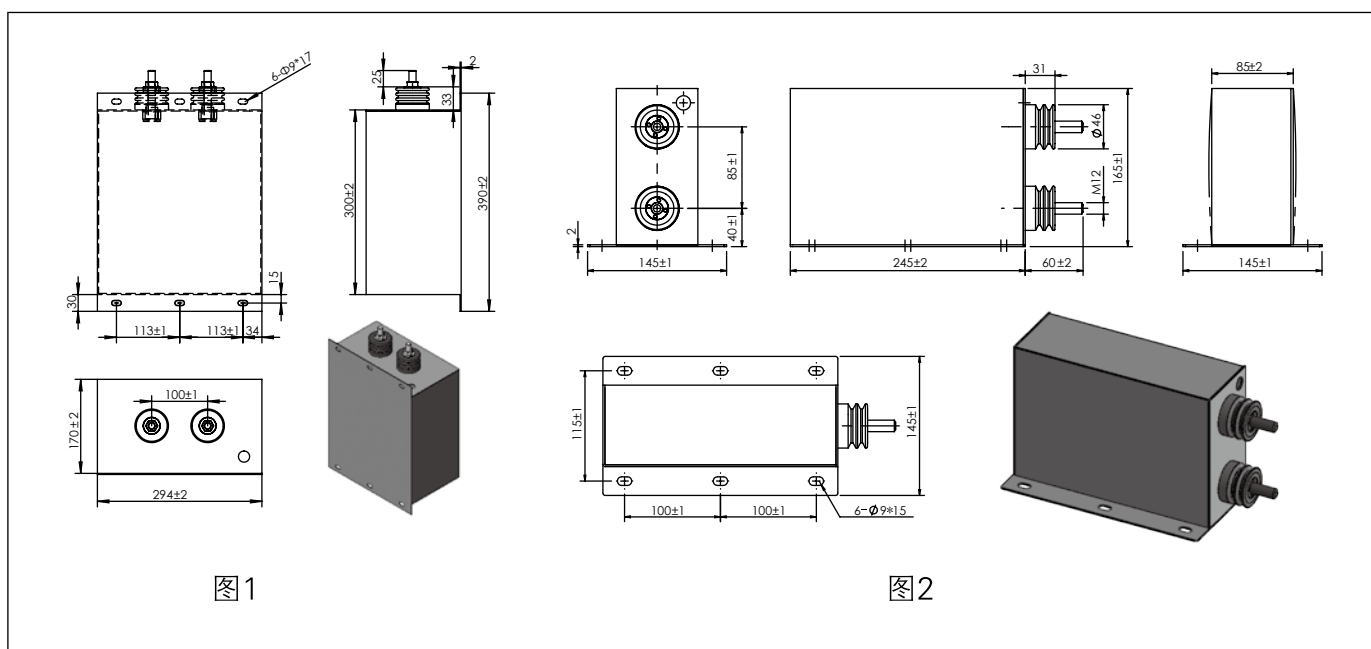


图1

图2

## 标识 Marking

	1
FCS3GDT157K017029015	2
CBB123	3
150μF ± 10%	4
U <sub>R</sub> = 4000VDC SH	5
U <sub>TC</sub> = 3000V 50/60Hz	6
-40~+55°C IEC61071	7
Discharge before handling	8
J37F26104	9

NO.	项目 Item
1	商标 Brand
2	产品代码 Products code
3	产品系列 Products series
4	容量和偏差 Capacitance and Tolerance
5	额定电压和自愈性 Rated voltage and Self-healing property
6	端子与铝壳电压U <sub>TC</sub> Voltage Between Terminals and Case
7	温度范围 Temperature Range 存储能量 Energy storage 引用标准 Reference Standard
8	安全警示 Safety Warning
9	年度标记 Year code 二维码 QR Code

## 性能特性 Specifications

项目 Item	特性 Characteristics
引用标准 Reference Standard	JB/T 8168
气候类别 Climatic Category	40/70/56
工作环境温度范围 Operating environment Temperature Range	-40~+55°C ( $\theta_{\text{hotspot}} \leq 70^\circ\text{C}$ )
存储温度范围 Storage Temperature Range	-40~+55°C
额定电压 $U_R$ Rated Voltage	1~50K $V_{DC}$
电容量范围 Capacitance Range	1~120000 $\mu\text{F}$
电容量偏差 Capacitance Tolerance	$\pm 5\%(\text{J}), \pm 10\%(\text{K})$
端子与端子电压 $U_T$ Voltage Between Terminals	$1.1 \sim 1.5 \times U_R V_{DC}, 10\text{s} (20^\circ\text{C})$
端子与外壳电压 $U_C$ Voltage Between Terminals and Case	$>3000 V_{AC}, 10\text{s} (20^\circ\text{C}, 50\text{Hz})$
介质损耗角正切 Dielectric Dissipation Factor	0.0002
绝缘电阻 Insulation Resistance	$IR \cdot C \geq 5000\text{s} (20^\circ\text{C}, 100V_{DC}, 1\text{min})$
预期寿命 Life Expectancy	$>5000\text{次} (U_R)$
失效率 Failure Rate	50 FIT

## 规格标准 Standard Ratings

$U_R$	$C_R$	P/N	$\hat{i}$	ESR	ESL	E
(V)	( $\mu\text{F}$ )	-	(KA)	(m $\Omega$ )	(nH)	(KJ)
1200	20000	FCS3BDT209*****	30	1	100	14.4
	65000	FCS3BDT659*****	100	1	100	46.8
3000	10000	FCS3FDT109*****	20	1.5	120	45
	15000	FCS3FDT159*****	30	1	120	67.5
4000	150	FCS3GDT157*****	3	2	80	120
5000	8200	FCS3HDT828*****	25	1.5	125	102.5
	11000	FCS3HDT119*****	33	1	125	137.5
6000	100	FCS3XDT107*****	3	1.3	80	180
8000	130	FCS3KDT137*****	5	1	80	416

可根据客户要求定制。Customer products are available on request.